



MODEL 31350 - PORTABLE 7 GALLON PARTS WASHER

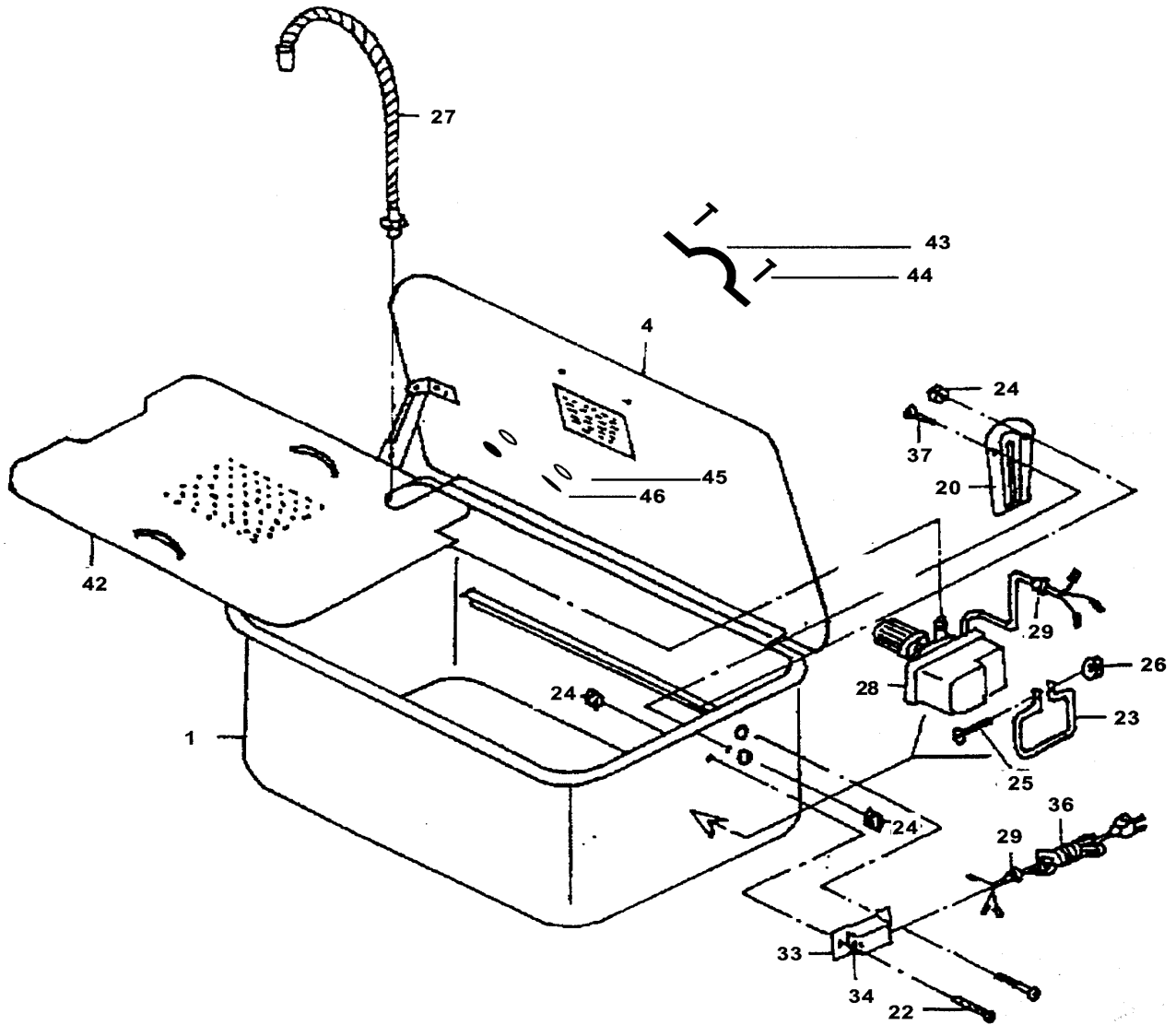
UPDATED 3/06

PART ORDER NUMBER	KIT DESCRIPTION	KIT INCLUDES		
		REF. #	DESCRIPTION	
31350K27	FLEX SPIGOT	27	FLEXIBLE PIPE	
31350KA	PUMP	28	PUMP WITH STRAINER	
31200K27	SWITCH	34	SWITCH	
NOT AVAILABLE		1	BODY	
NOT AVAILABLE		4	COVER	
NOT AVAILABLE		20	CORD SHELL	
NOT AVAILABLE		22	PAN SCREW	
NOT AVAILABLE		23	CLAMP	
NOT AVAILABLE		24	NUT	
NOT AVAILABLE		25	PAN SCREW	
NOT AVAILABLE		26	NUT	
NOT AVAILABLE		29	FEED THRU	
NOT AVAILABLE		33	SWITCH BOX	
NOT AVAILABLE		36	POWER CORD	
NOT AVAILABLE		37	PAN SCREW	
NOT AVAILABLE		42	WORK SHELF	
NOT AVAILABLE		43	HANDLE	
NOT AVAILABLE		44	BOLT	
NOT AVAILABLE		45	WASHER	
NOT AVAILABLE		46	NUT	

*** ONLY PARTS WITH A "PART ORDER NUMBER" ARE AVAILABLE FOR SALE.**

DO NOT COPY OR DISTRIBUTE THIS MATERIAL WITHOUT PERMISSION OF AFF, INC.

MODEL 31350 - PORTABLE 7 GALLON PARTS WASHER



DO NOT COPY OR DISTRIBUTE THIS MATERIAL WITHOUT PERMISSION OF AFF, INC.