



# MODEL 31200A - 20 GALLON PARTS WASHER

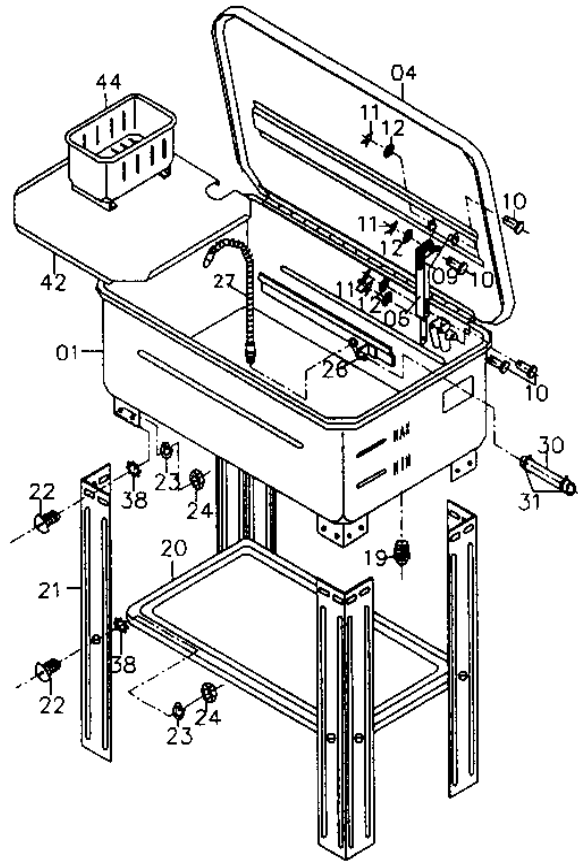
UPDATED 07-05

PART ORDER NUMBER	KIT DESCRIPTION	KIT INCLUDES	
		REF.#	DESCRIPTION
31200AK27	FLEX PIPE	27	FLEXIBLE PIPE
31200AK28	PUMP	28	PUMP
31200AK34	SWITCH	34	LIGHT SWITCH
31200AK40	FILTER	40	SCREEN
31200AK06	SAFETY LEVER	6	SAFETY LEVER
31200AK50	GFCI	46	FEED THRU
		36	POWER CORD
		50	PLUG with GFCI
31200AKHW	HARDWARE PACKAGE	22	BOLTS (24)
		23	LOCK WASHERS (24)
		24	HEX NUT (24)
31200AK25A	PUMP, HOUSING	17	NUT
	MOTOR & CORD	25	PUMP HOUSING
	W/ GFCI	26	ELBOW
		28	PUMP
		30	HOSE
		31	HOSE CLAMP
		32	RAPPING SCREW
		33	SWITCH BOX
		34	LIGHT SWITCH
		35	TAPPING SCREW
		36	POWER CORD
		37	PAN SCREW
		38	STAR WASHER
		39	PUMP HOUSING
		40	SCREEN
		41	SCREEN COVER
		45	TAPPING SCREW
		46	FEED THRU
		47	NUT
		48	CORD
		50	PLUG with GFCI
NOT AVAILABLE		1	TANK
NOT AVAILABLE		4	COVER
NOT AVAILABLE		10	PIN
NOT AVAILABLE		11	SPRINGPIN
NOT AVAILABLE		12	WASHER
NOT AVAILABLE		17	NUT
NOT AVAILABLE		19	PLUG
NOT AVAILABLE		20	SHELF
NOT AVAILABLE		21	LEG
NOT AVAILABLE		25	PUMP HOUSING
NOT AVAILABLE		26	ELBOW
NOT AVAILABLE		30	HOSE
NOT AVAILABLE		31	HOSE CLAMP
NOT AVAILABLE		32	RAPPING SCREW
NOT AVAILABLE		33	SWITCH BOX
NOT AVAILABLE		23	PUMP BRACKET
NOT AVAILABLE		35	TAPPING SCREW
NOT AVAILABLE		37	PAN SCREW
NOT AVAILABLE		38	STAR WASHER
NOT AVAILABLE		39	PUMP HOUSING
NOT AVAILABLE		41	SCREEN COVER
NOT AVAILABLE		42	WORK SHELF
NOT AVAILABLE		44	BASKET
NOT AVAILABLE		35	WORK SHELF
NOT AVAILABLE		45	TAPPING SCREW
NOT AVAILABLE		47	NUT

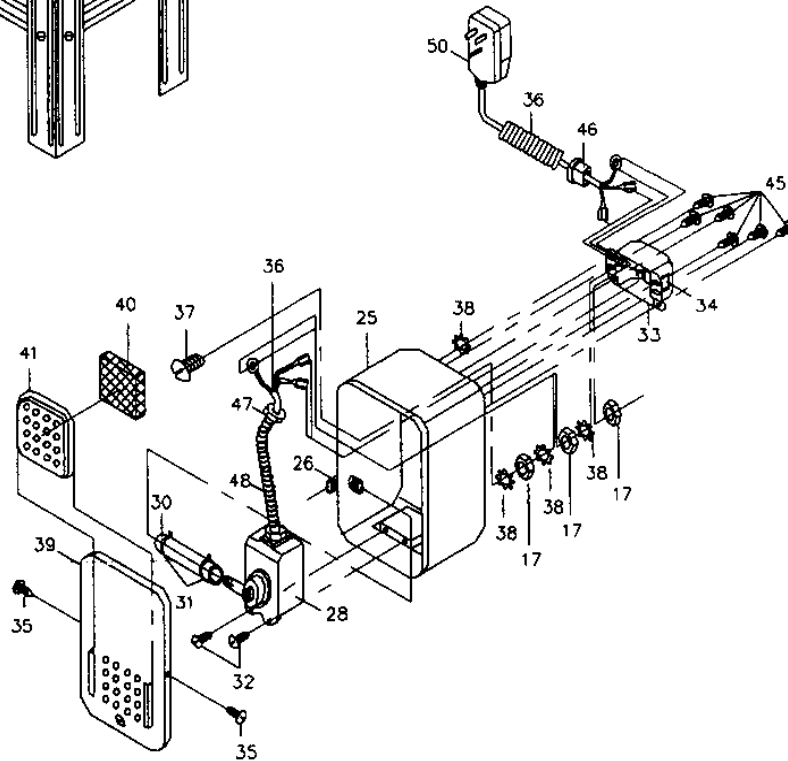
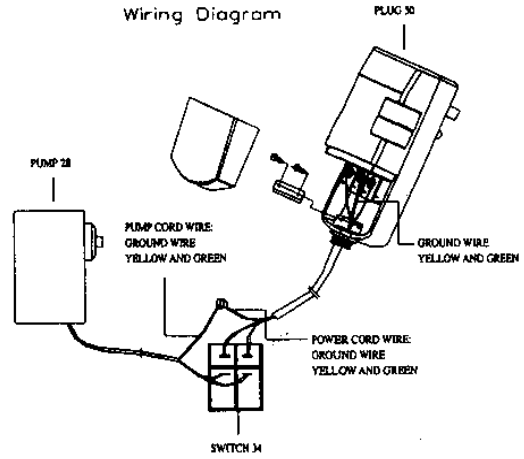
**\* ONLY PARTS WITH A "PART ORDER NUMBER" ARE AVAILABLE**

**DO NOT COPY OR DISTRIBUTE THIS MATERIAL WITHOUT PERMISSION OF AFF, INC.**

# MODEL 31200A - 20 GALLON PARTS WASHER EXPLODED VIEW



Wiring Diagram



**MODEL 31200A - 20 GALLON PARTS WASHER  
PARTS LIST**

PARTS #	DESCRIPTION	QTY	PARTS #	DESCRIPTION	QTY
01	Body	1	31	Hose Clamp	4
04	Cover	1	32	Tapping Screw	2
06	Safety Lever	1	33	Switch Box	1
09	Safety Plate	1	34	Switch	1
10	Pin	4	35	Tapping Screw	2
11	Spring Pin	4	36	Power Cord	1
12	Washer	4	37	Pan Screw	1
17	Nut	3	38	Star Washer	10
19	Plug	1	39	Pump Housing Cover	1
20	Shelf	1	40	Screen	1
21	Leg	4	41	Cover Screen	1
22	Bolt	24	42	Work Shelf	1
23	Spring Washer	24	44	Basket	1
24	Nut	24	45	Tapping Screw	6
25	Pump Housing	1	46	Feed Thru	1
26	Elbow	2	47	Nut	2
27	Flexible Metal Hose	1	48	Flexible Pipe	1
28	Pump	1	50	Plug with GFCI	1
30	Hose	2			