



# MODEL 8622A -50:1 AIR-OPERATED GREASE UNIT (16 GAL.)

UPDATE 9-05

PART ORDER NUMBER	KIT DESCRIPTION	KIT INCLUDES	
		REF. #	DESCRIPTION
8620A-P	PUMP ASM	1	PUMP COMPLETE
8620AK04	COVER	2	DRUM COVER
8698	GUN	3	GUN COMPLETE
8699	HOSE	4	HOSE WITH FITTINGS
8697	SWIVEL		Z-SWIVEL
8620AK14	PLATE	8	FOLLOWER PLATE
8622AK1	TROLLY		COMPLETE TROLLY
8622AK12	KNOB	12	KNOB SET OF 4
8622AK13	BRACKET	13	ACCESSORY SUPPORT BRACKET
8622AK17	WHEEL	17	FIXED WHEEL SET OF 2
8622AK19	CASTER	19	SWIVEL CASTER COMPLETE
NOT AVAILABLE		11	GRIP
NOT AVAILABLE		15	DRUM HOLDING HOOK
NOT AVAILABLE		16	HANDLE
NOT AVAILABLE		18	TROLLY TOP

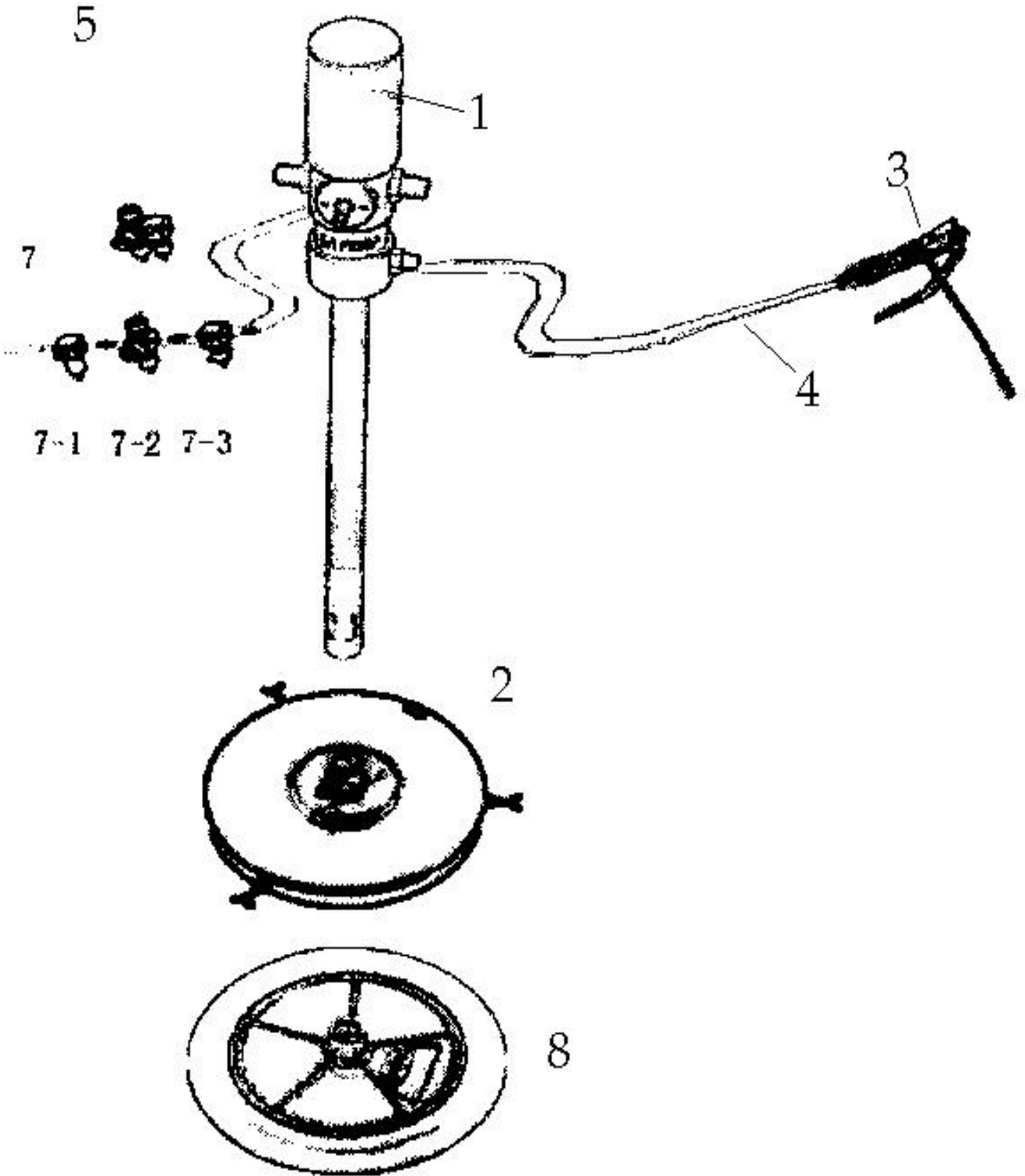
**\* ONLY PARTS WITH A "PART ORDER NUMBER" ARE AVAILABLE FOR SALE.**

**DO NOT COPY OR DISTRIBUTE THIS MATERIAL WITHOUT PERMISSION OF AFF, INC.**



MODEL 8622A -50:1 AIR-OPERATED GREASE UNIT (16 GAL.)

UPDATE 9-05  
2

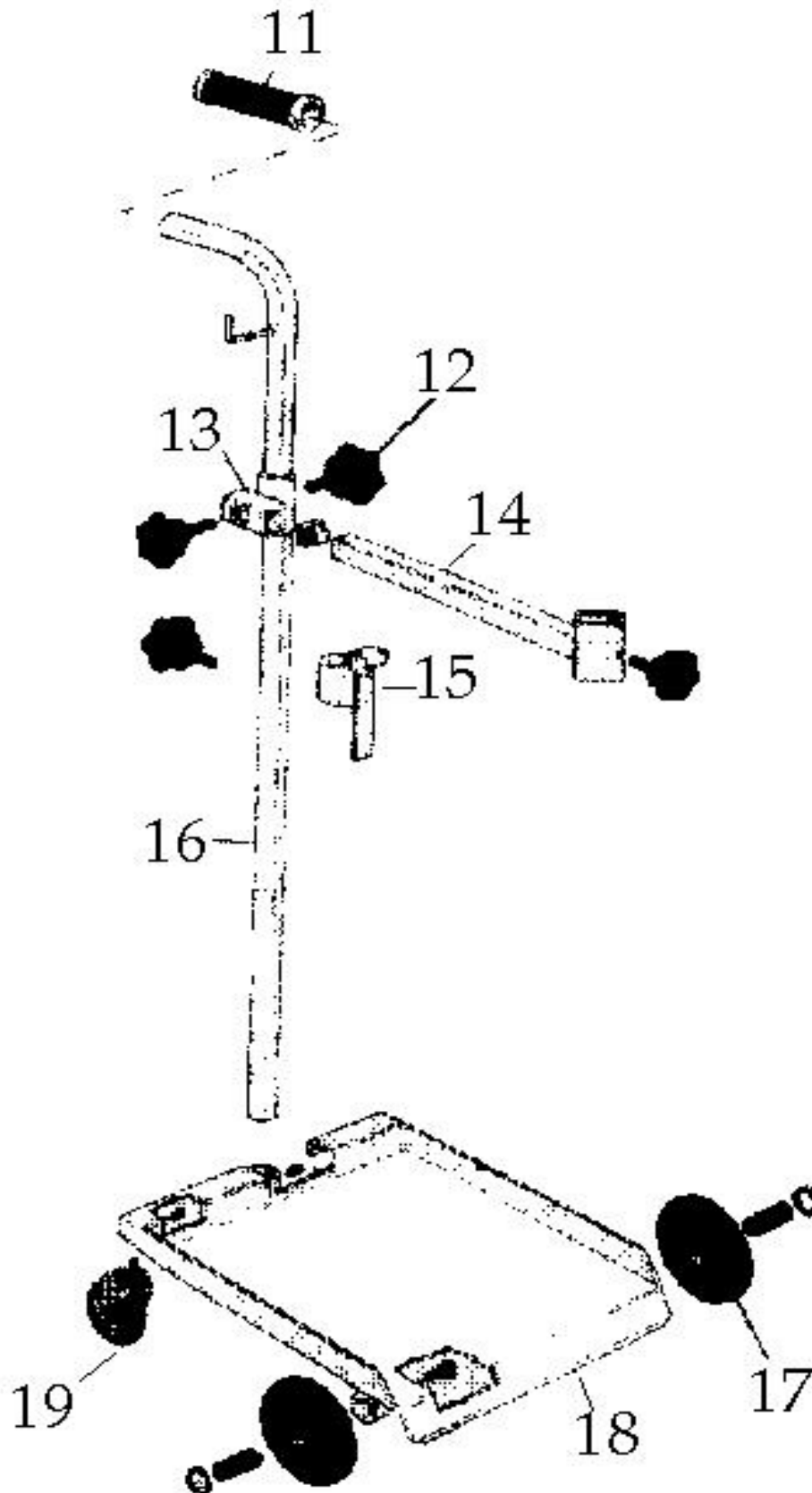


\* ONLY PARTS WITH A "PART ORDER NUMBER" ARE AVAILABLE FOR SALE.  
DO NOT COPY OR DISTRIBUTE THIS MATERIAL WITHOUT PERMISSION OF AFF, INC.



**MODEL 8622A -50:1 AIR-OPERATED GREASE UNIT (16 GAL.)  
CART**

UPDATE 9-05

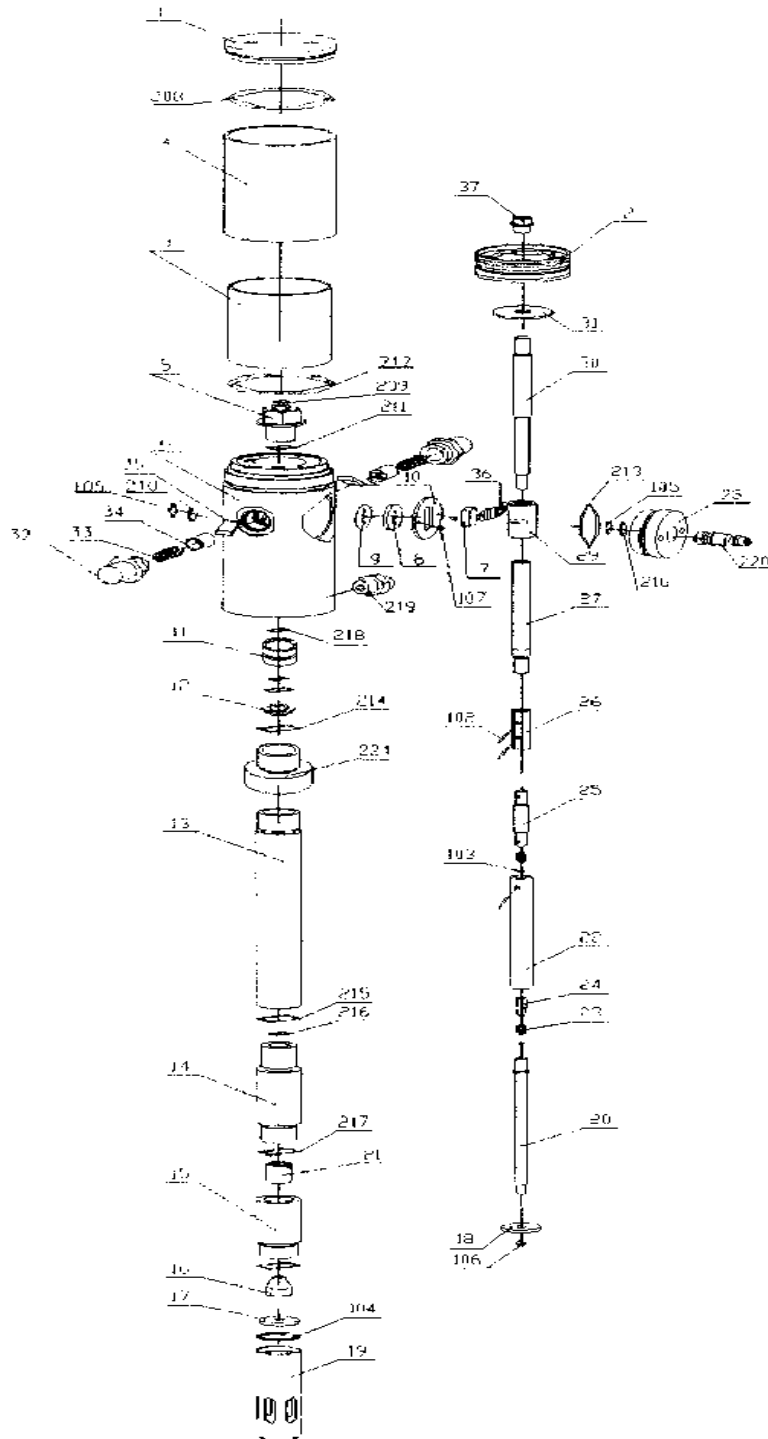


**\* ONLY PARTS WITH A "PART ORDER NUMBER" ARE AVAILABLE FOR SALE.  
DO NOT COPY OR DISTRIBUTE THIS MATERIAL WITHOUT PERMISSION OF AFF, INC.**



# MODEL 8622A -50:1 AIR-OPERATED GREASE UNIT (16 GAL.)

UPDATE 9-05  
4



**\* ONLY PARTS WITH A "PART ORDER NUMBER" ARE AVAILABLE FOR SALE.  
DO NOT COPY OR DISTRIBUTE THIS MATERIAL WITHOUT PERMISSION OF AFF, INC.**